

**PEPPERELL  
CRAFTS**

*Make These*

# Decorative *Rope* Spindles



**Pepperell Braiding Company**  
22 Lowell Street  
Pepperell, MA 01463  
800-343-8114  
[www.pepperell.com](http://www.pepperell.com)

© 2016 Pepperell Braiding Company.

**Materials Needed:**

8 ft / 2.43 m of cotton rope for each step

Loop Rings (screws included)

Cleats (screws included)

Screw driver

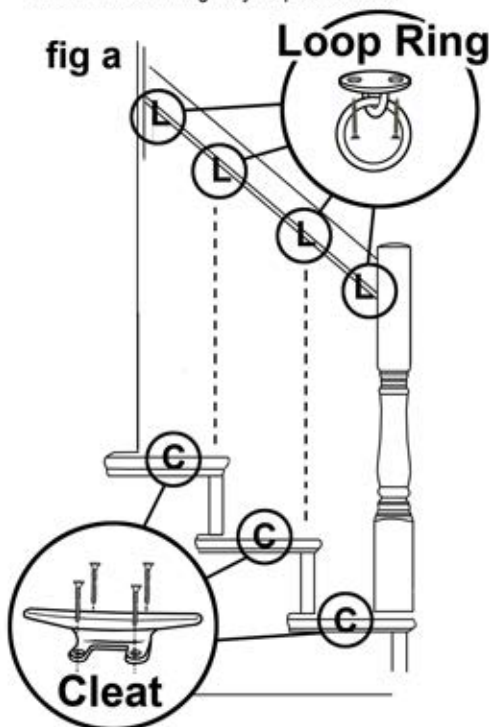
Tape &amp; White Craft Glue

Drill motor and 1/8 in drill bit.

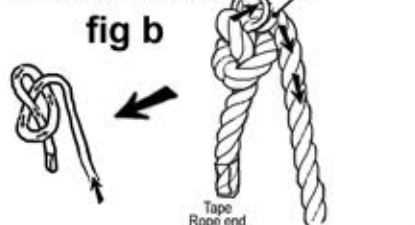
- 1** Count steps to determine how many parts you will need. If there are 10 steps, you will need 10 Cleats and 11 Loop Rings.

Follow **fig a** for placement of the Loop Rings and Cleats. Install a Loop Ring at the **L** points, and fasten a Cleat at the **C**. Be sure to center Cleats directly below the hand rail.

**NOTE:** Pre-drilling may help set screws.



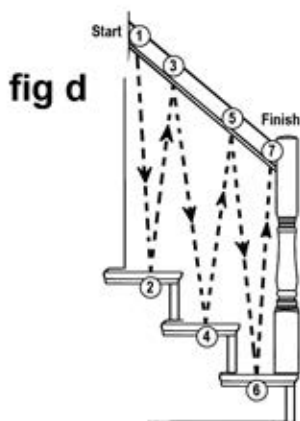
- 2** Tape the ends of the cotton rope to prevent fraying. Tie an overhand knot in one end, then thread the rope through the first Loop Ring (**fig b**).



- 3** Secure the rope to each Cleat with a simple criss-cross wrap.



- 4** Follow pattern to complete the design **fig d**. Finish with an over hand knot.



- 5** Remove tape and dip rope ends in glue or fray the ends for a rustic look.

Every effort has been made to have instructions accurate and complete. We cannot be responsible for variance of individuals, human error or typographical mistakes.

PS134



PRINTED IN CHINA