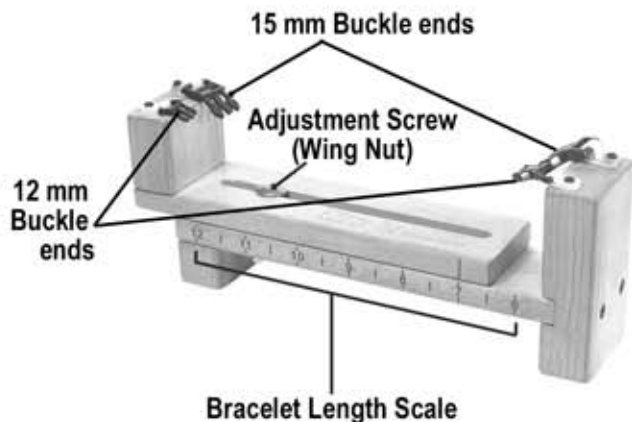
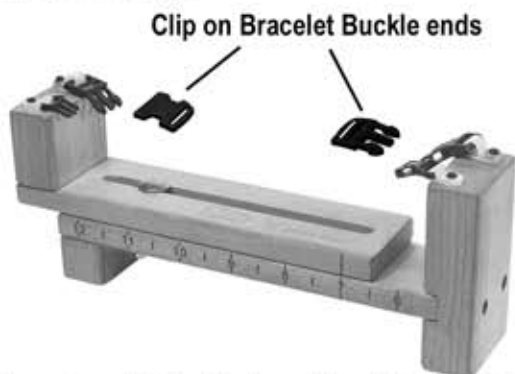


# EZZY-Jig Parachute Bracelet Maker™

## Ezzz-Jig Parts:

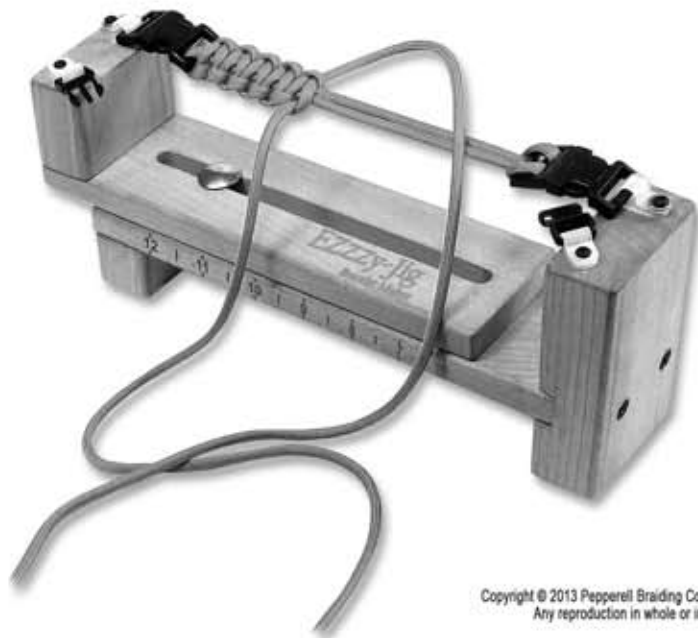


## To set up the Ezzz-Jig:



1. Use the wing nut and bolt adjustment to set the length for the completed bracelet.
2. Clip each half of the buckle to be used for the bracelet into the appropriate buckle half attached to the jig.
3. Follow the instructions for tying the Cobra Stitch.

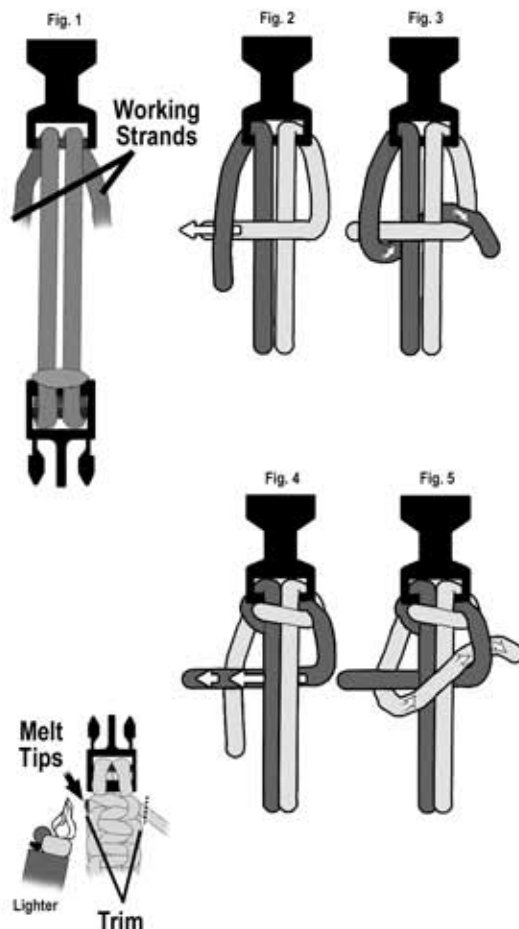
## Single Cobra Stitch Shown:



## Single Color Bracelet

1. Measure and cut 1 length of Parachute Cord 8 feet long.
2. Fold the cord in half to find the center. Feed the center through the first half of the clip and pull the strands through the center as shown.
3. Feed the ends of the cord through the second half of the clip as shown. Slide the clip down the cord so that it's held 6.5" (small size) to 7.5" (large size) apart. Adjust to your wrist size as needed.
4. Follow the instructions for the Cobra Stitch. Make the last stitch Tight.
5. Trim remaining cord and fuse/melt the tips of the Parachute Cord to secure. Use a lighter to melt the ends\*. See Fig. 2.

\* Not intended for children. Adult Supervision is REQUIRED when working with an open flame!



Pepperell Braiding Company  
22 Lowell Street  
Pepperell, MA 01463

[www.parachutecordcraft.com](http://www.parachutecordcraft.com)  
[www.pepperell.com](http://www.pepperell.com)